

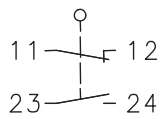
# Plastic bodied limit switch

## Series TI2

Description **TI2-U1 AV**

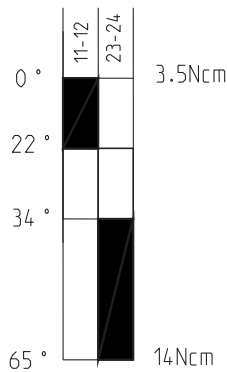
Article number **6088136033**

### Operating symbol

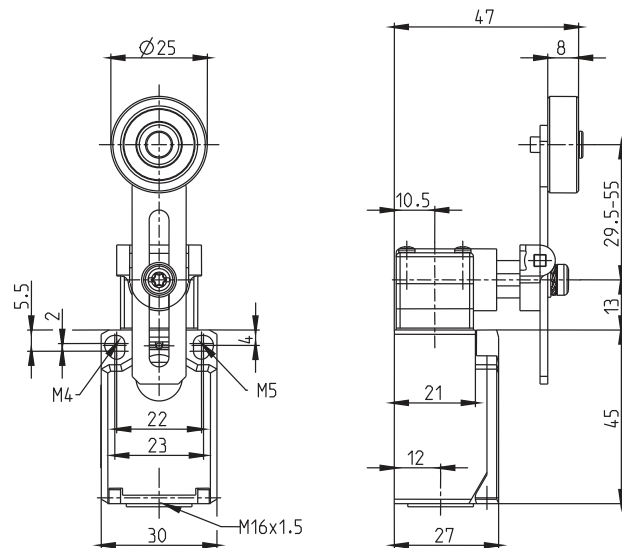
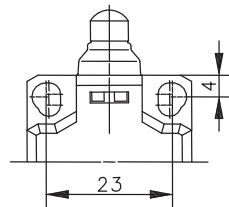


Fixed positioning with  
e.g. fixing screw M5  
according to the standard  
DIN EN ISO 4762.

### Operating diagram



On
  Off
 Tolerance:  
 Operating point  $\pm 3,5^\circ$ ;  
 Actuating force  $\pm 10\%$



### Electrical Data

Rated insulation voltage	$U_i$	250 V AC
Conv. thermal current	$I_{the}$	10 A AC; 2,5 A DC
Rated operational voltage	$U_e$	240 V AC
Utilization category		AC-15, $U_e/I_e$ 240 V / 3 A, DC-13, $U_e/I_e$ 250 V / 0,27 A
Short-circuit protective device		Fuse 6 A gG
Protection class		II, totally insulated

<b>Mechanical data</b>	
Enclosure	Thermoplastic, glass fibre reinforced (UL 94-V0)
Cover	Thermoplastic, glass fibre reinforced (UL 94-V0)
Actuator	Turret head, lever (st), roller (thermoplastic)
Ambient air temperature	-30 °C ... +80 °C
Contact type	1 NC, 1 NO (Zb)
Mechanical life	3 x 10 <sup>6</sup> operating cycles
Switching frequency	≤ 100 / min.
Assembly	2 x M4 or 2 x M5 fixed position for safety applications
Connection	4 screw connections (M3,5)
Conductor cross-sections	Solid: 0,5 ... 1,5 mm <sup>2</sup> or Litz wire with ferrules: 0,5 ... 1,5 mm <sup>2</sup>
Cable entrance	1 x M16 x 1,5
Weight	≈ 0,07 kg
Installation position	operator definable
Protection type	IP65 acc. to EN 60529; DIN VDE 0470 T1

<b>ID for safety engineering</b>	
B10d	6 x 10 <sup>6</sup> cycles

**Actuation**

The actuating device is preferably started from 2 sides.  
By loosening the 4 screws the actuation assembly can be rotated in 90 degree increments such that 8 actuation directions are possible.  
The actuation assembly is to be again fastened to the housing using the 4 screws.

<b>Standards</b>	
	VDE 0660 T100, DIN EN 60947-1, IEC 60947-1
	VDE 0660 T200, DIN EN 60947-5-1, IEC 60947-5-1
	DIN EN ISO 13849-1

<b>EU Conformity</b>	
	acc. to directive 2014/35/EU

<b>Approvals</b>	
	cCSA <sub>US</sub> A300, Q300 (same polarity)
	CCC
	UL

**Notes**

The degree of protection (IP code) specified applies solely to a property closed cover and the use of an equivalent cable gland with adequate cable.